

DBseriespilotedreliefvalvesandDBWseries solenoidoperatedreliefvalves canbeusedtocontrolandunloadsystempressure.

Technicalspecification



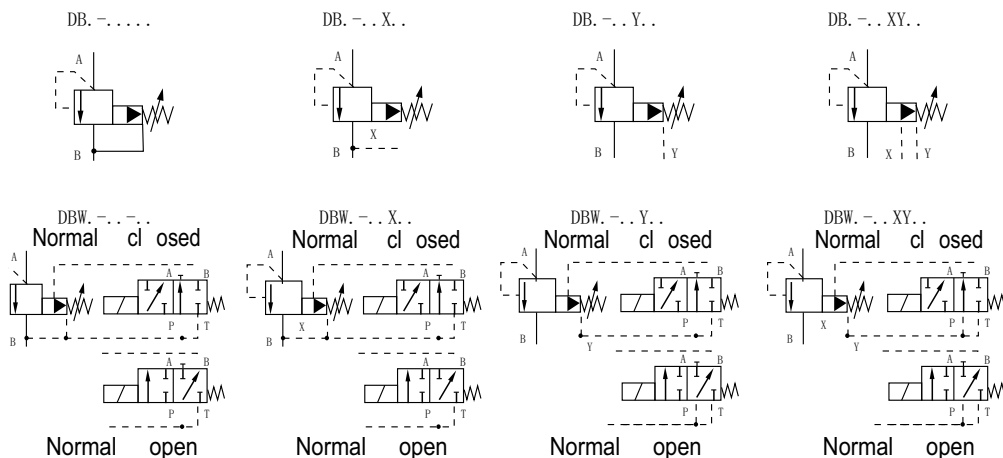
Model		DB-10	DB-15	DB-20	DB-25	DB-30
Max.flowrate (l/min)	Subplate mounting	250	—	500	—	650
	Threaded mounting	250	500	500	500	650
Workingpressure (MPa)	50series	35				
Weight(kgs)	Subplate mounting	2.6	—	3.5	—	4.4
	Threaded mounting	5.3	5.2	5.1	5	4.8
	Pilotsolenoid valve	1.2				

Orderingdetails

DB	W	C	10		A	G	1
Sort	Withsolenoid valve	Pilotvalve	Nominalsize		Normalstate	Mountingtype	Adjustmenttype
Pilot operated reliefvalve	Nocode:Without solenoidvalve W:Withsolenoid valve	Nocode:CompleteDBvalve C:Pilotoperatedvalvewithout mainspool C:Pilotoperatedvalvewith mainspool (entersize10~30) T:Pilotoperatedvalvefor remotedcontrolvalve	Subplate mounting 10:NG10 20:NG20 30:NG30	Threadedmounting 10:G1/2"M22×1.5 15:G3/4"M27×2 20:G1"M33×2 25:G11/4"M42×2 30:G11/2"M48×2	A:Normalclosed B:Normalopen	Nocode:Subplate mounting G:Threaded mounting	1:Rotaryknob 2:Sleevewith hexagonand protectivecap 3:Lockablerotary knobwithscale 7:Rotaryknob withscale

5X	50	XY	U	G24	N	Z4L	V
Series number	Setting pressure	Oilcontrol	Cracking pressure	Input voltage	Manualoverride	Connectortype	Seals
5X:5Xseries	50:5MPa 100:10MPa 200:20MPa 315:31.5MPa 350:35MPa	Seeoil controllist	Nocode:0.5MPa U:0.25MPa	G24:DC24 W220:AC220	Nocode:Without manualoverride N:Withmanual override	Z4:Standart plug-inconnector Z4L:Plug-in connectorwithlight	Nocode:NBRseals forpetroleumoils V:FPMsealsfor phosphateester

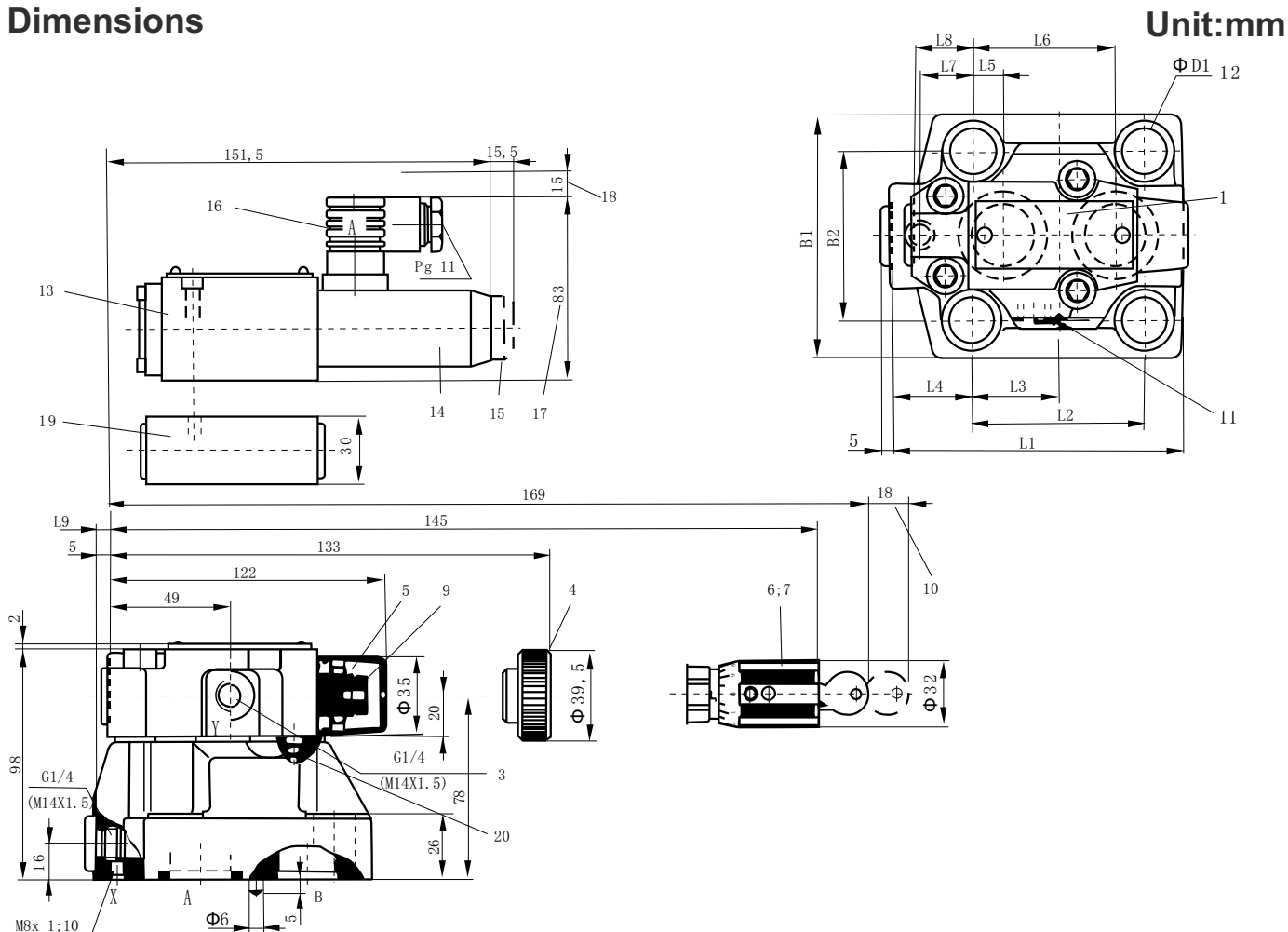
Symbolist



Nocode	Internalcontrol internaldrain
X	Externalcontrol internaldrain
Y	Internalcontrol externaldrain
XY	Externalcontrol externaldrain



Dimensions



Model	L1	L2	L3	L4	L5	L6	L7	L8	L9	B1	B2	D1	O-rings A, B port	O-rings X port
DB/DBW 10	91	53,8	22,1	27,5	22,1	47,5	0	25,5	2	78	53,8	14	17.12X2.62	9.25X1.78
DB/DBW 20	116	66,7	33,4	33,3	11,1	55,6	23,8	22,8	10,5	100	70	18	28.17X3.53	9.25X1.78
DB/DBW 30	147,5	88,9	44,5	41	12,7	76,2	31,8	20	21	115	82,6	20	34.52X3.53	9.25X1.78

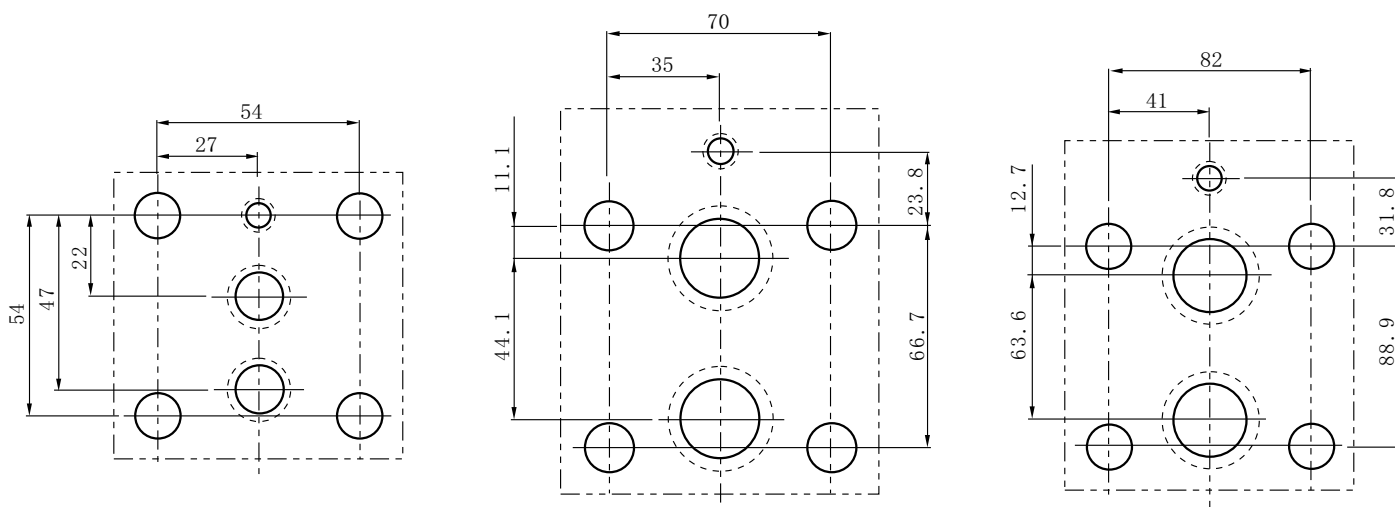
Mountingsize

Unit:mm

DB/DBW-10

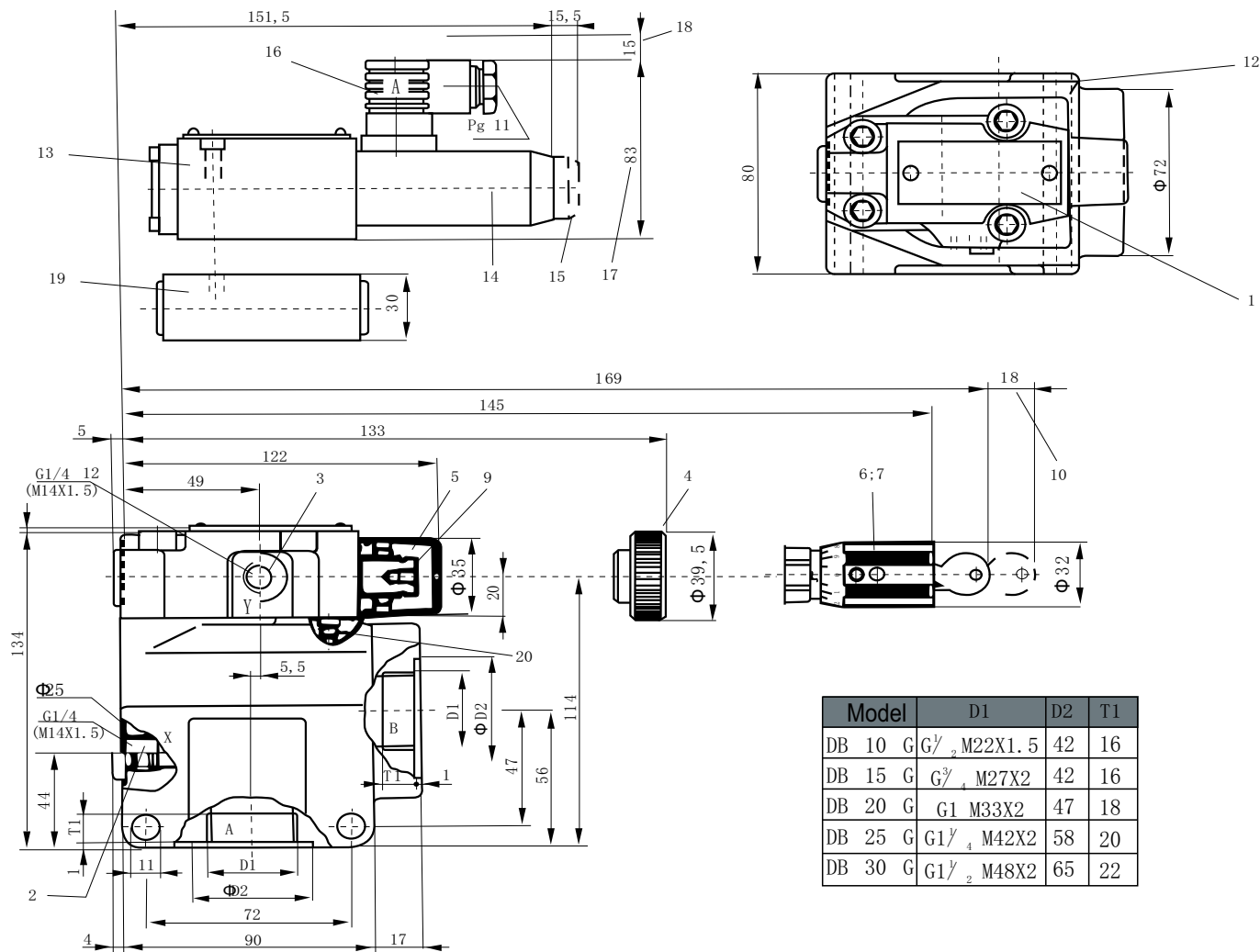
DB/DBW-20

DB/DBW-30

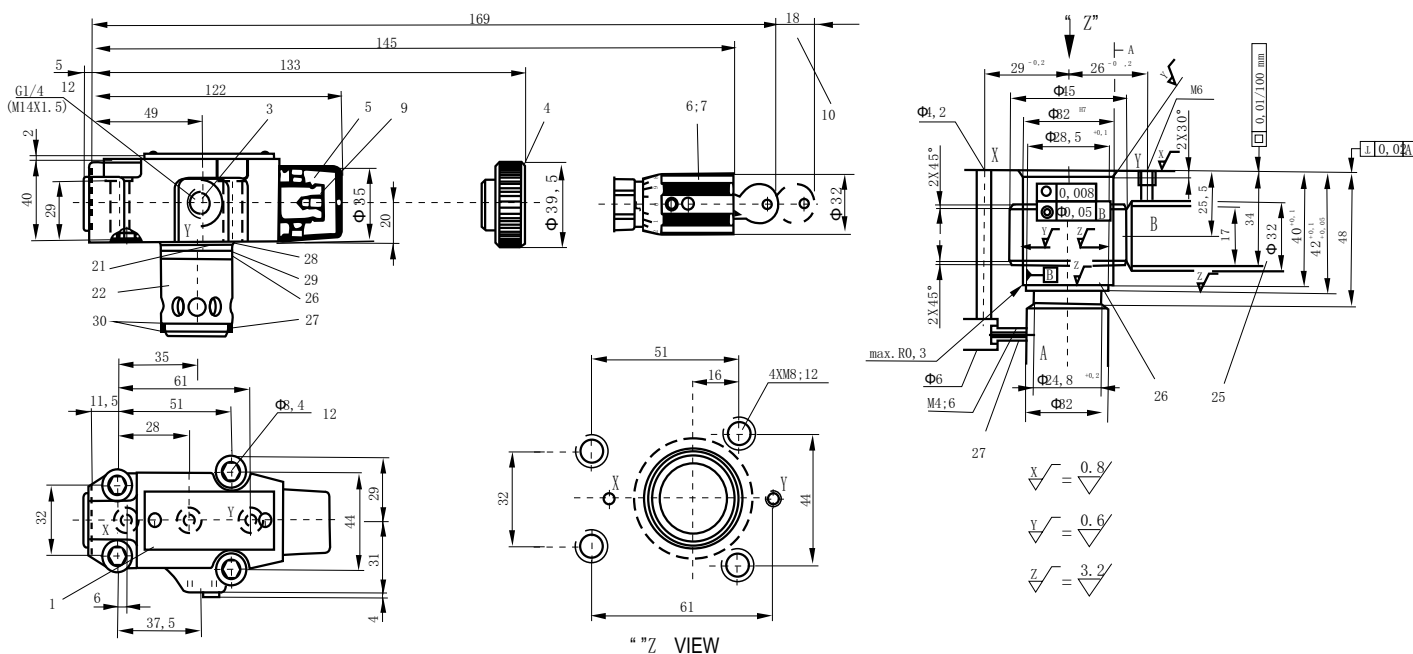


**Dimensions**

**Unit:mm**



**DBC10/20/30andDBC、DBT**





DAseries pilot operated unloading valves and DAWseries solenoid operated unloading valves are used to unload the oil pumps' pressure in a hydraulic system with accumulator. The valve allows high-pressure pump to operate and low-pressure pump to unload pressure.

**Technical specification**

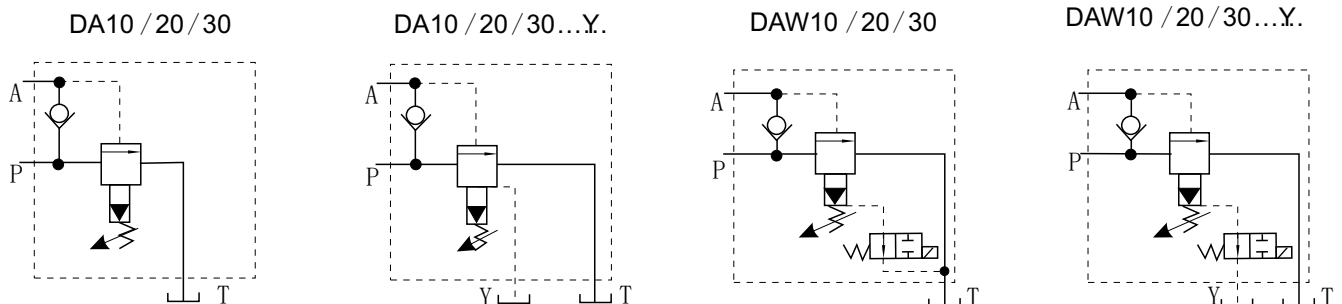
Model	DA-10	DAW-10	DA-20	DAW-20	DA-30	DAW-30
Max. flowrate (l/min)	40		100		250	
Working pressure (MPa)	31.5					
Weight(kgs)	3.8	4.9	7.7	8.8	13.4	14.5

**Ordering details**

DA	W	10	A	1	30	80
Sort	With solenoid valve	Nominal size	Normal state	Adjustment type	Series number	Pressure adjustment range
Pilot operated unloading valve	Nocode: Without solenoid valve W: With solenoid valve	10: NG10 20: NG20 30: NG30	A: Normal closed B: Normal open	1: Rotary knob 2: Sleeve with hexagon and protective cap 3: Lockable rotary knob with scale	30: 30 series	80: 2~8MPa 160: 8~16MPa 315: 16~31.5MPa

Y	G24	N	Z4L	V
Oil control	Input voltage	Manual override	Connector type	Seals
Nocode: Internal control internal drain Y: Internal control external drain	G24: DC24 W220: AC220	Nocode: Without manual override N: With manual override	Z4: Standart plug-in connector Z4L: Plug-in connector with light	Nocode: NBR seals for petroleum oils V: FPM seals for phosphate ester

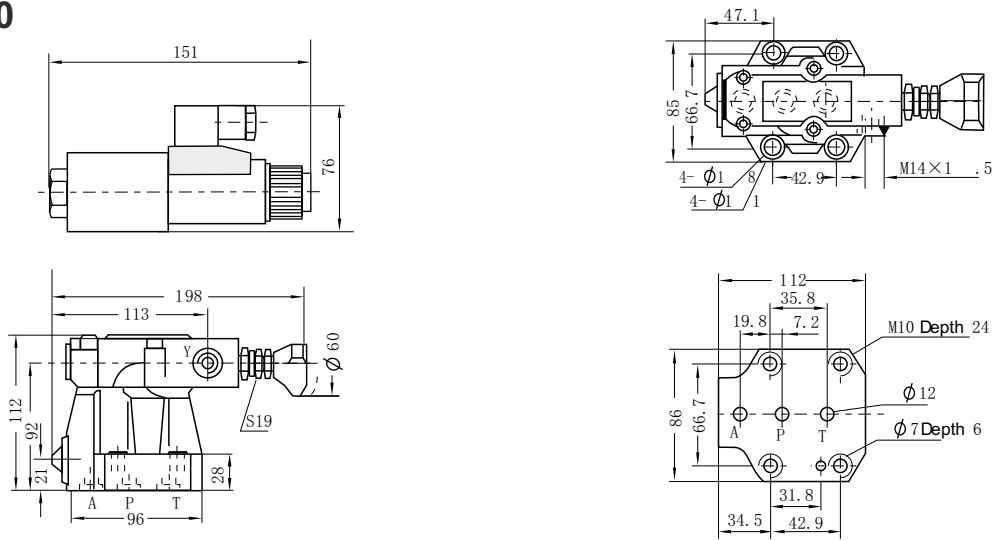
**Symbolist**



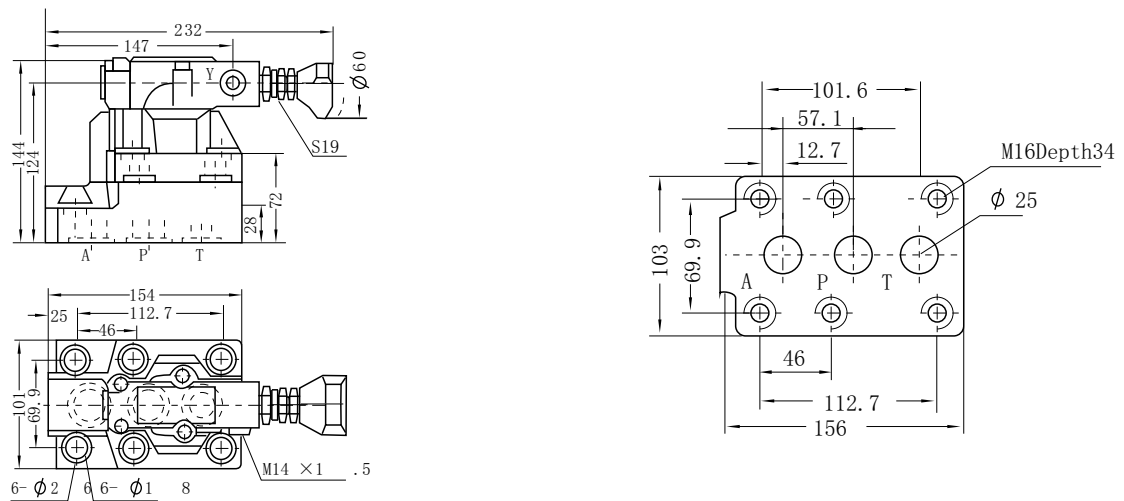
Dimensions

Unit:mm

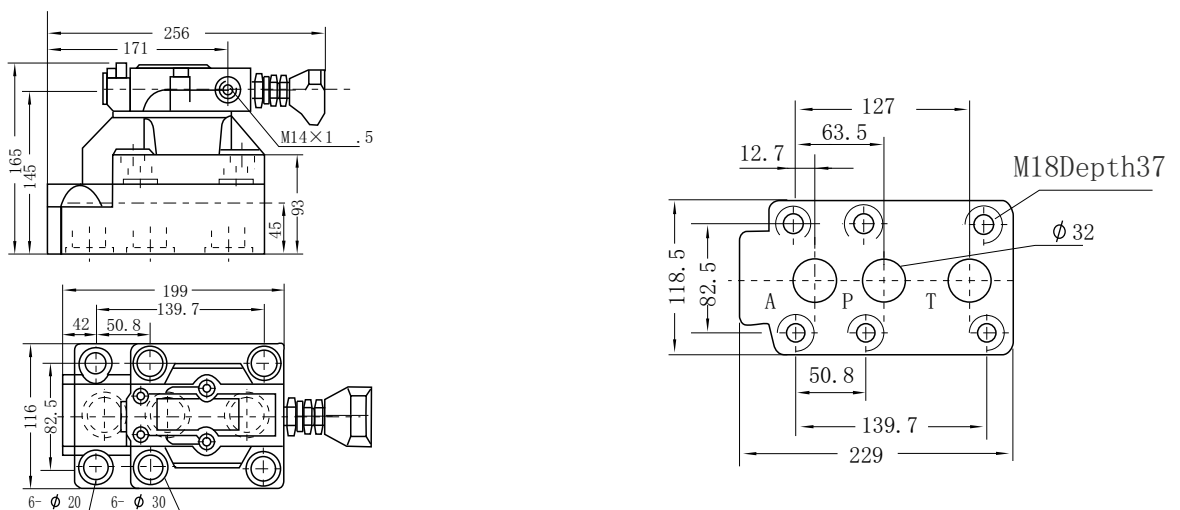
DA/DAW-10



DA/DAW-20



DA/DAW-30



DRseriespilotedoperatedpressurereducingvalvesarepilotedoperatedpressurereducing valves,whichcanbeusedtoreduceandmaintainpressureinacertaincircuit.

**Technicalspecification**



Model	DR-10	DR-20	DR-30
Max.flowrate (l/min)	150	300	400
Workingpressure (MPa)	35		
Inputpressure (MPa)	35		
Outputpressure (MPa)	1to35		
BackpressureYport (MPa)	35(Onlyusedforwithoutcheckvalve)		
Weight(kgs)	3.4	5.3	8

**Orderingdetails**

DR	10	1	6X	10	Y	M	V
Sort	Nominal size	Adjustmenttype	Series number	Pressure adjustmentrange	Oilcontrol	Withcheckvalve	Seals
Pilotedoperated pressure reducingvalve	10:NG10 20:NG20 30:NG30	1:Rotaryknob 2:Sleevewith hexagonand protectivecap 3:Lockablerotary knobwithscale	6X:6Xseries	5:5MPa 10:10MPa 20:20MPa 31.5:31.5MPa 35:35MPa	Y:Internalcontrol externaldrain XY:Externalcontrol externaldrain	Nocode:Without checkvalve M:Withcheckvalve	Nocode:NBRseals forpetroleumoils V:FPMsealsfor phosphateester

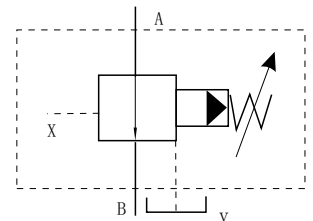
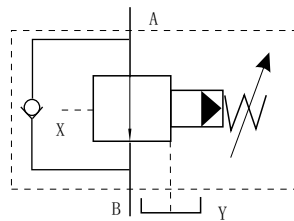
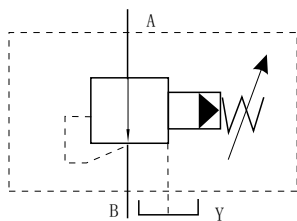
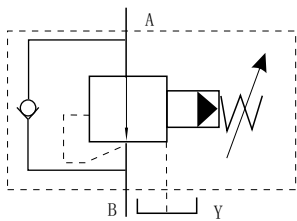
**Symbolist**

DR- \* -Y-M

DR- \* -Y

DR- \* -XY-M

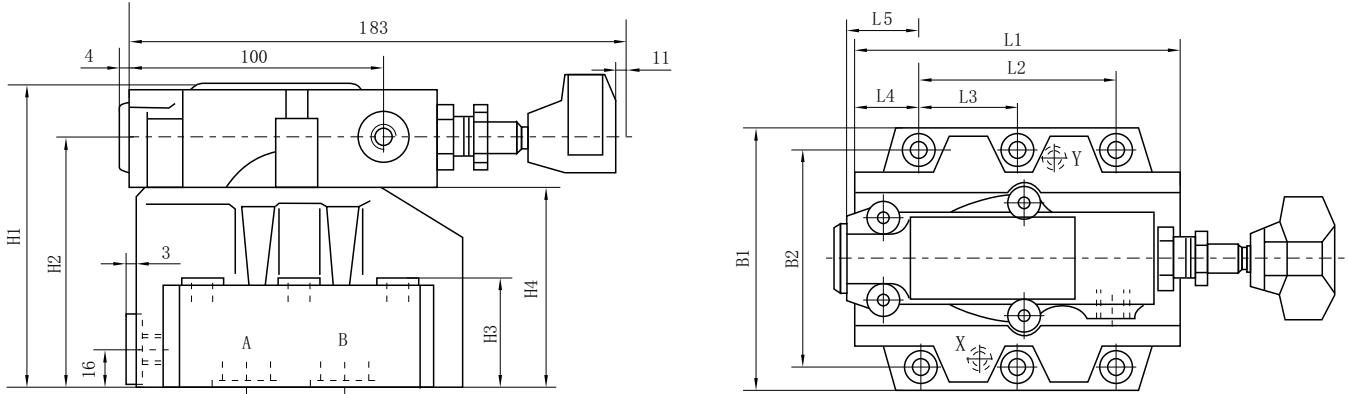
DR- \* -XY



Dimensions

Unit:mm

DR-10/20/30



Model	B1	B2	H1	H2	H3	H4	L1	L2	L3	L4	L5
DR 10	85	66.7	112	92	28	72	90	42.9	-	35.5	34.5
DR 20	102	79.4	122	102	38	82	112	60.3	-	33.5	37
DR 30	120	96.8	130	110	46	90	140	84.2	42.1	28	31.3

Mountingsize

Unit:mm

DR-10

DR-20

DR-30

